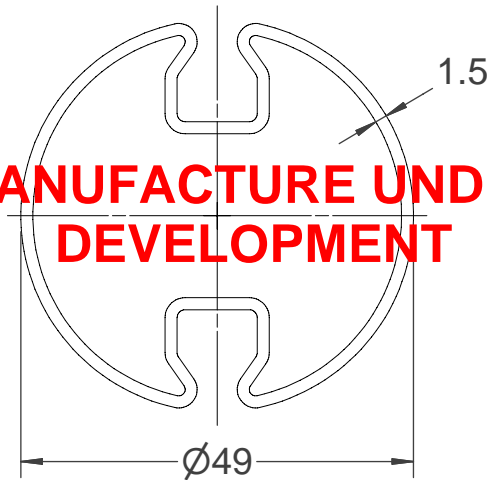


INTRODUCING THE NEW GALEBREAKER Ø49MM TUBE OPTIONS

S-TBDF49x**

Ø49MM DOUBLE FLUTE TUBE



MANUFACTURE UNDER DEVELOPMENT

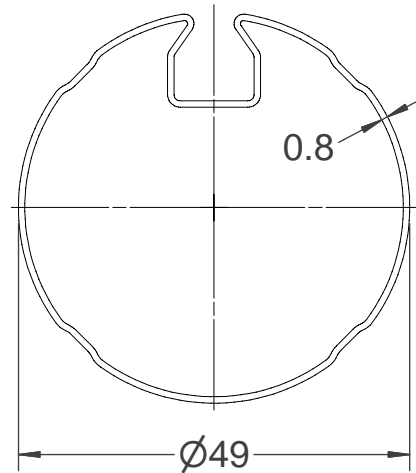
In response to importers requesting a heavier walled tube and for a double flute option, Galebreaker is pleased to now include a brand new tube as shown above. This has been developed with a local supplier solely for Galebreaker use, and will be available on shorter lead times.

Section Properties

Material: Galvanised Mild Steel
 Strength: 140% stronger than the old style single flute tube (1-TBSF48x**)
 Flute: Compatible with all current sheet options

S-TBSF49x**

Ø49MM SINGLE FLUTE TUBE



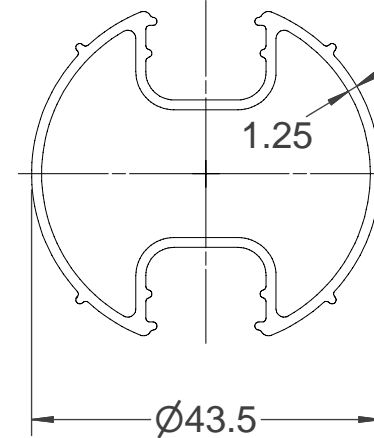
At the same time as developing the double flute tube, Galebreaker chose to re-develop the single flute tube. This has again been sourced from the local supplier solely for Galebreaker use, and will be available on shorter lead times.

Section Properties

Material: Galvanised Mild Steel
 Strength: 14% stronger than the old style single flute tube (1-TBSF48x**)
 Flute: Compatible with all current sheet options

S-COL50-SC S-JN-TBSF48

REINFORCEMENT COLLAR
49MM TUBE JOINER



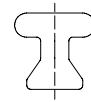
*To accommodate both the new double and single flute tube, the reinforcement collar and tube joiner extrusion has been re-designed. This new extrusion will also be compatible with the old style single flute tube (1-TBSF48x**).*

Section Properties

Material: Aluminium Alloy 6060 T6

S-INSPT5FL

PROTECTION INSERT



*To accommodate both the new double and single flute tube, the protection insert has been re-designed. This new insert can also be used with the old style single flute tube (1-TBSF48x**).*

Section Properties

Material: Semi Rigid PVC (Grey)



All dimensions shown are in mm